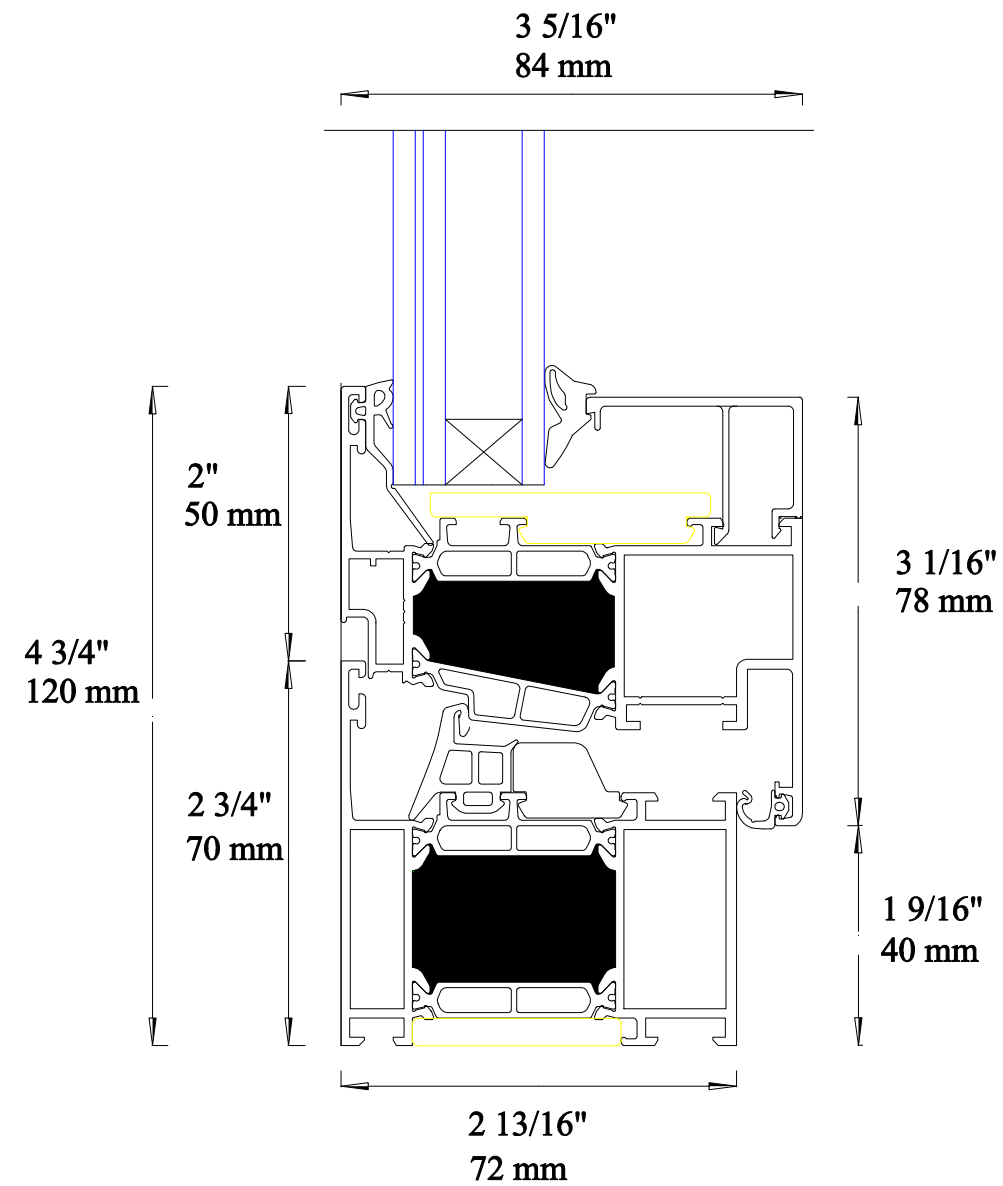
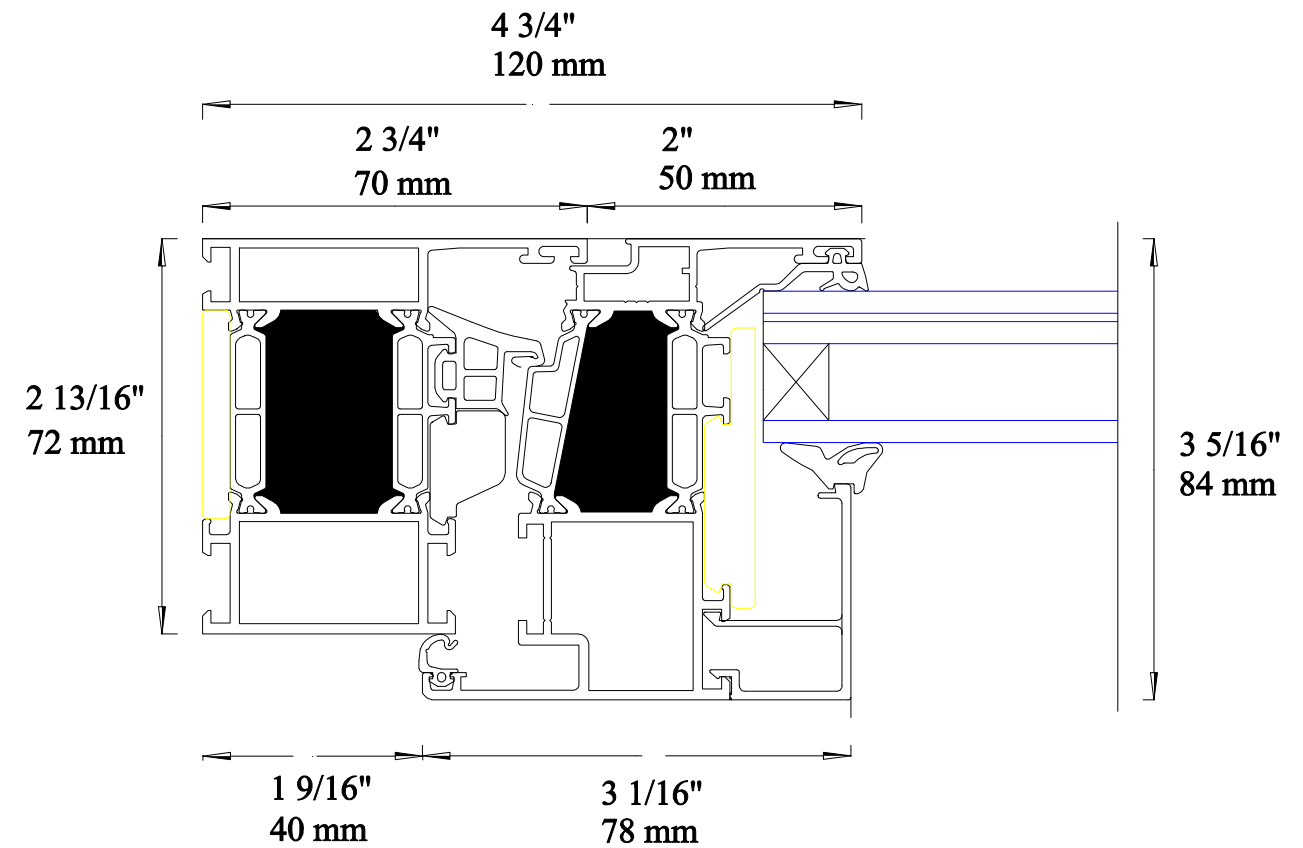


Section A



Section B



SwissShade + Security Inc.
 Phone: 520 822 1982
 Fax: 520 812 6881
 e-mail: sales@swissshade.com
 www.swissshade.com

Heroal System 110ES

drawn:	DTM	Title: A & B Section details	Date:
date:	1/7/2014		